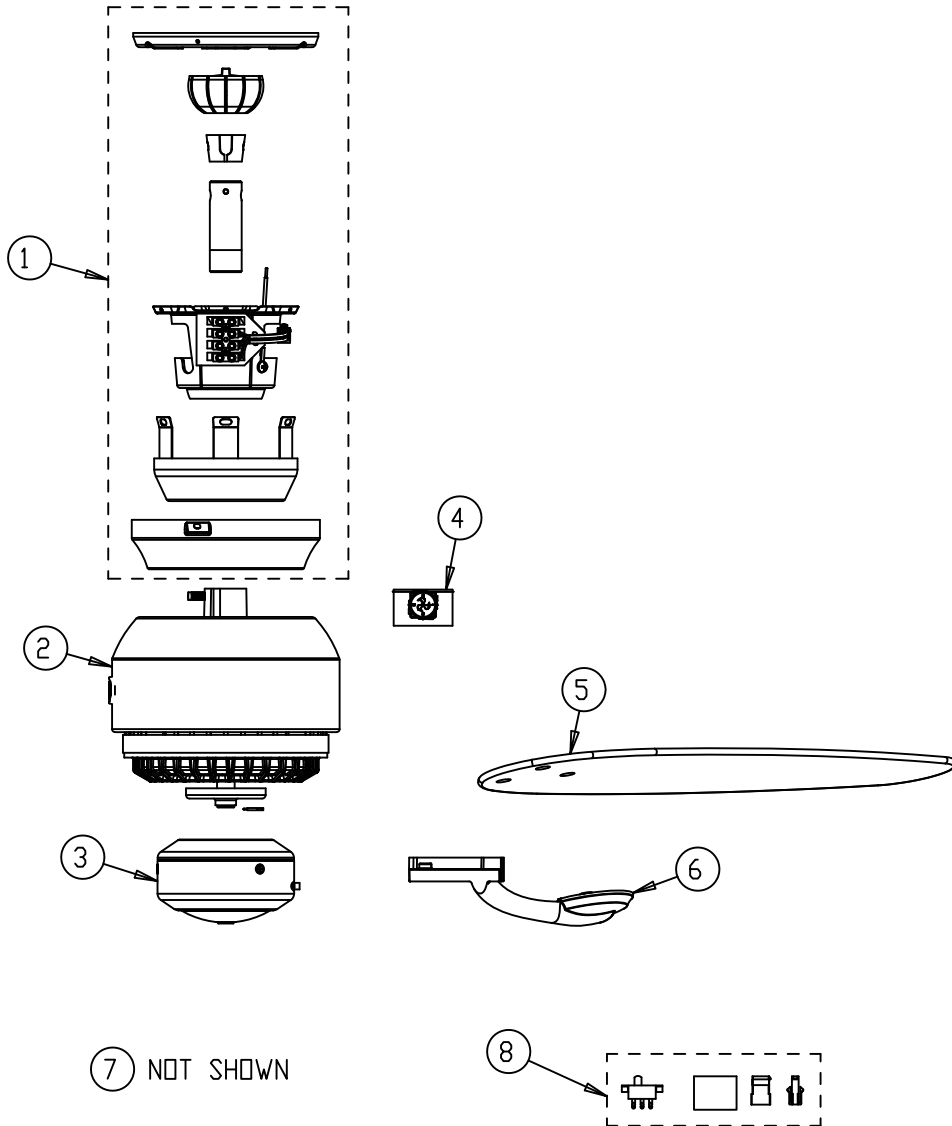



SOHO, 240V, 50HZ, SERVICE PARTS LIST		MODEL NUMBER	24275	24277
		FINISH	BRUSHED NICKEL -214	WHITE -132
ITEM NO	DESCRIPTION	QTY		
1	KIT, SERVICE, HANGING SYS, CONTEMP	1	94697-06-000	94697-02-000
2	MOTOR HOUSING ASSEMBLY	1	97791-01-214	97791-02-132
3	SWITCH HOUSING ASSEMBLY	1	87814-02-000	87814-01-000
4	ROTARY WALL CONTROL	1	75969-03-000	75969-03-000
5	BLADE SET	1	76238-19-000	76238-20-000
6	BLADE IRON SET	1	97452-03-214	97452-03-132
7	HARDWARE KIT	1	87952-01-000	87952-02-000
8	WIRE HARNESS	1	76060-08-000	76060-07-000



A	NEW DRAWING RELEASE	KL	---	---	8846	5/24/07
REV	DESCRIPTION	BY	CK	APP	ECN#	DATE
		HUNTER FAN COMPANY				
SINCE 1886		2500 FRISCO AVE., MEMPHIS, TENN. 38114				
CONFIDENTIAL						
THIS DOCUMENT AND THE INFORMATION IT DISCLOSES IS THE EXCLUSIVE PROPERTY OF HUNTER FAN COMPANY. ANY REPRODUCTION OR USE OF THIS DRAWING, IN PART OR IN WHOLE, WITHOUT THE EXPRESS CONSENT OF THE PROPRIETOR IS PROHIBITED.			DOC NUMBER 8846	STATUS ACTIVE		REVISION
			TYPE CODE 55	DATE 06-05-07		6/5/07
			MATERIAL	FINISH		SEE CHART
SHEET SIZE B	THIRD ANGLE PROJECTION	CHECKED BY	DRAWING BY KL		MODEL NUMBER 97791	REVISION A
MODEL TYPE ASSEM	FIRST USE	CHECKED BY	DRAWING BY KL		REL LEVEL Detail	REVISION
SCALE 0.250	DESCRIPTION SERVICE PARTS GUIDE,	DRAWING NUMBER 76307		REL LEVEL Detail		REVISION A
SHEET 1 of 1						

SOHO, 240V 50Hz