

|   |                  |             |              |          |             |            |               |                |            |
|---|------------------|-------------|--------------|----------|-------------|------------|---------------|----------------|------------|
| SEVILLE II<br>EUROPE, SERVICE<br>PARTS LIST | MODEL NUMBER     | 24031       | 24032        | 24451    | 24035       | 24037      | 24034         | 24038          | 24039      |
|   | ASSEMBLY DWG NO. | 74739-01    | 74739-02     | 74739-03 | 74739-04    | 74739-05   | 74739-06      | 74739-07       | 74739-08   |
|   | FINISH           | SATIN BRASS | BRIGHT BRASS |          | SATIN METAL | SNOW WHITE | ANTIQUÉ BRASS | BRUSHED NICKEL | NEW BRONZE |

| ITEM NO | DESCRIPTION                    | QTY | PART NUMBER  |              |              |              |              |              |              |              |
|---------|--------------------------------|-----|--------------|--------------|--------------|--------------|--------------|--------------|--------------|--------------|
| 1       | ASM, LOWER CANOPY, TRADITIONAL | 1   | 85357-01-135 | 85357-01-116 |              | 85357-01-276 | 85357-01-132 | 85357-01-121 | 85357-01-214 | 85357-01-299 |
| 2       | ASM, TRI-LOBE HANG SYSTEM      | 1   | 94125-03-135 | 94125-03-116 |              | 94125-03-276 | 94125-24-132 | 94125-03-121 | 94125-03-214 | 94125-03-299 |
| 3       | BLADE SET ( FOR 112cm/44")     | 1   | 74296-92-000 | 74438-95-000 | 74438-90-000 | 74296-91-000 | 74296-93-000 | 76238-48-000 | 76238-49-000 | 76238-50-000 |
| 4       | BLADE IRON SET                 | 1   | 93723-05-135 | 93723-05-116 |              | 93723-05-276 | 93723-05-132 | 93723-05-121 | 93723-05-214 | 93723-05-299 |
| 5       | LOWER SWITCH HOUSING ASM       | 1   | 93793-01-135 | 93793-01-116 |              | 93793-04-276 | 93793-04-132 | 93793-01-121 | 93793-03-214 | 93793-05-299 |
| 6       | UPPER CANOPY, INT.             | 1   | 85255-01-135 | 85255-01-116 |              | 85255-01-276 | 85255-01-132 | 85255-01-121 | 85255-01-214 | 85255-01-299 |
| 7       | ASM, MOTOR AND HOUSING         | 1   | 93735-01-135 | 93735-02-116 |              | 93735-03-276 | 93735-04-132 | 93735-05-121 | 93735-06-214 | 93735-07-299 |
| 8       | SERVICE HARDWARE KIT           | 1   | 85376-01-000 | 85376-02-000 |              | 85376-03-000 | 85376-04-000 | 85376-05-000 | 85376-06-000 | 85376-07-000 |
| 9       | CAP & BUTTON ADAPTER           | 1   | 64684-01-232 | 64684-01-232 |              | 64684-01-232 | 64684-01-232 | 64684-01-232 | 64684-01-232 | 64684-01-232 |
| 10      | SWITCH HOUSING CAP             | 1   | 73853-01-135 | 73853-01-116 |              | 73853-01-276 | 73853-01-132 | 73853-01-121 | 73853-01-214 | 73853-01-299 |
| 11      | PLUG BUTTON                    | 1   | 73854-01-135 | 73854-01-116 |              | 73854-01-276 | 73854-01-132 | 73854-01-121 | 73854-01-133 | 73854-01-247 |
| 12      | SWITCH HOUSING HARNESS ASM.    | 1   | 76060-04-000 | 76060-04-000 |              | 76060-04-000 | 76060-04-000 | 76060-04-000 | 76060-04-000 | 76060-04-000 |

(D)

NOT SHOWN

(E)

(E)


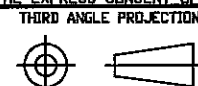
(E)

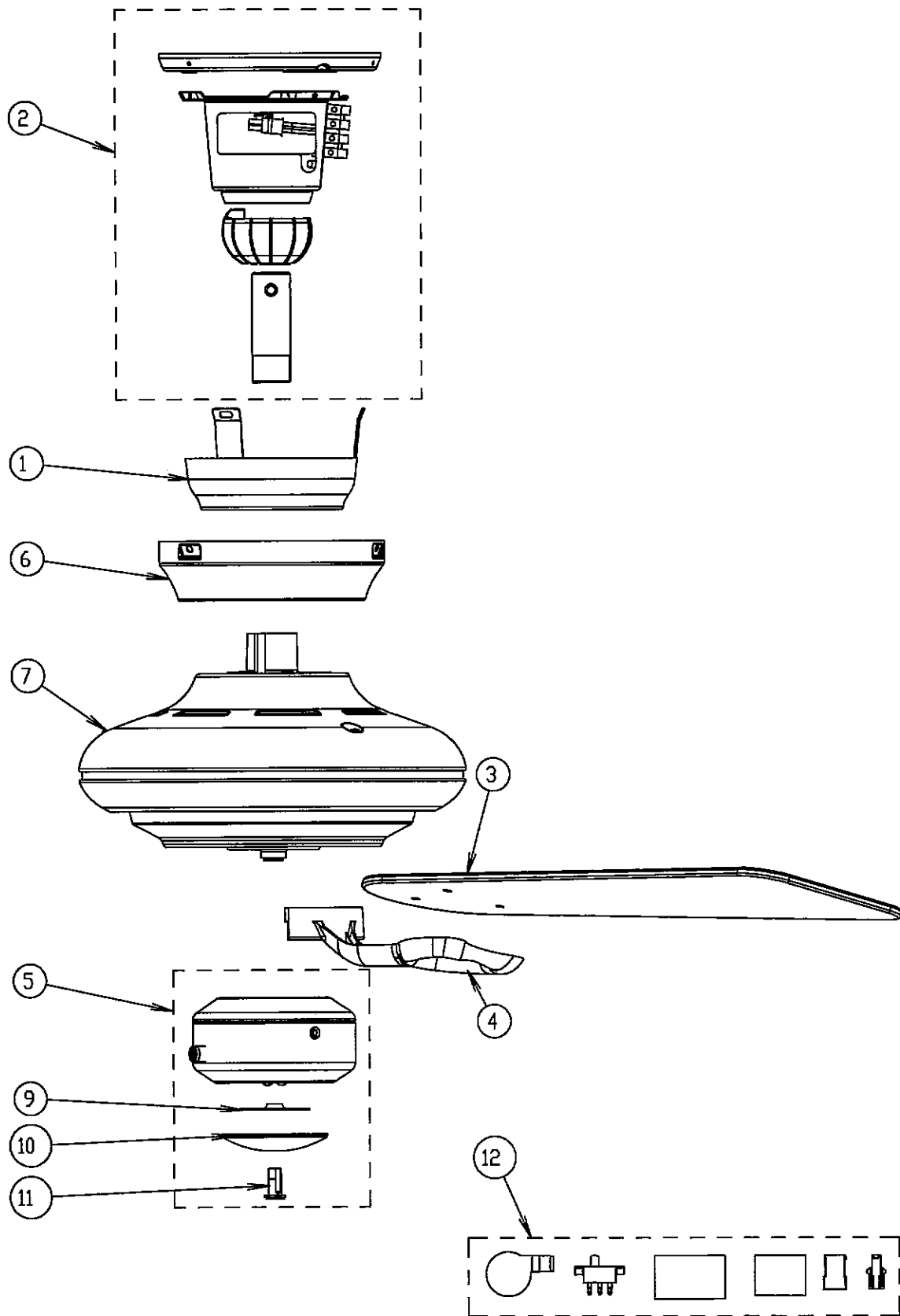
(E)

NOTES:  
1) ITEMS 9, 10, 11, & 12 ARE INCLUDED WITH ITEM 5


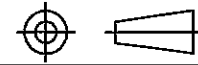
SEE SHEET 2 FOR ASSEMBLY VIEW

|     |   |     |     |     |      |          |
|-----|---|-----|-----|-----|------|----------|
| E   | ADD 9, 10, 11, & 12   | TEB |     |     | 8437 | 9/20/06  |
| D   | FOR MODEL 24451: 74438-90 WAS 74438-95  | TEB |     |     | 8000 | 1/18/06  |
| C   | MODEL 24451: FINISH BRIGHT BRASS WAS BRUSHED CHROME. MOVED MODEL TO 2ND COLUMN. | KL  |     |     | 7935 | 11/30/05 |
| B   | ADDED MODEL 24451   | KL  |     |     | 7935 | 11/21/05 |
| A   | MODEL 24032: FINISH 116 WAS 130. MODEL 24037: 94125-24-132 WAS 94125-03-132.    | KL  | --- | --- | 7900 | 11/4/05  |
| REV | DESCRIPTION   | BY  | CK  | APP | ECN# | DATE     |

|  |   |   |                         |                       |                                 |         |
|--|---|---|-------------------------|-----------------------|---------------------------------|---------|
| G  | ADDED MODELS 24034, 24038, 24039. UPDATED TITLEBLOCK.   | KL  |                         |                       | 8965                            | 10/3/07 |
| F  | REVISION SKIPPED TO SYNC WITH PRO/E SYSTEM.   |   |                         |                       |                                 |         |
| REV  | DESCRIPTION   | BY  | CK                      | APP                   | ECN#                            | DATE    |
|   |   | <b>HUNTER FAN COMPANY</b><br>2500 FRISCO AVE., MEMPHIS, TENN. 38114 |                         |                       |                                 |         |
| <b>CONFIDENTIAL</b>  |   |   |                         | DOC NUMBER<br>PDF6638 | STATUS<br>SEE TABLE             |         |
| THIS DOCUMENT AND THE INFORMATION IT DISCLOSES IS THE EXCLUSIVE PROPERTY OF HUNTER FAN COMPANY. ANY REPRODUCTION OR USE OF THIS DRAWING, IN PART OR IN WHOLE, WITHOUT THE EXPRESS CONSENT OF THE PROPRIETOR IS PROHIBITED. |   |   |                         | TYPE CODE<br>42       | DATE (MM-DD-YYYY)<br>06/21/2006 |         |
| SHEET SIZE<br><b>B</b>   | THIRD ANGLE PROJECTION<br> | CHECKED BY  | MATERIAL                |                       | FINISH<br>SEE TABLE             |         |
| MODEL TYPE<br>ASSEM  | FIRST USE   | MODELED BY<br>TB  | MODEL NUMBER<br>93735   |                       | REVISION<br>I                   |         |
| SCALE<br>0.250   | DESCRIPTION<br>SERVICE PARTS GUIDE,<br>SEVILLE II, 230V-50Hz  | DRAWING BY<br>TB  | REL LEVEL: Design       |                       | REVISION                        |         |
| SHEET<br>1 OF 2  |   |   | DRAWING NUMBER<br>74739 |                       | REVISION<br>G                   |         |
|  |   |   | REL LEVEL: Detail       |                       |                                 |         |



SEE SHEET 1 FOR PARTS LIST

| ---  | SEE SHEET 1 FOR REVISIONS   | ---              | ---              | ---                     | ---                             | ---  |
|--|---|------------------|------------------|-------------------------|---------------------------------|------|
| REV  | DESCRIPTION   | BY               | CK               | APP                     | ECN#                            | DATE |
|  <b>HUNTER FAN COMPANY</b><br>SINCE 1886 2500 FRISCO AVE., MEMPHIS, TENN. 38114   |   |                  |                  |                         |                                 |      |
| <b>CONFIDENTIAL</b>  |   |                  |                  | DDC NUMBER<br>PDF6638   | STATUS<br>SEE TABLE             |      |
| THIS DOCUMENT AND THE INFORMATION IT DISCLOSES IS THE EXCLUSIVE PROPERTY OF HUNTER FAN COMPANY. ANY REPRODUCTION OR USE OF THIS DRAWING, IN PART OR IN WHOLE, WITHOUT THE EXPRESS CONSENT OF THE PROPRIETOR IS PROHIBITED. |   |                  |                  | TYPE CODE<br>42         | DATE (MM-DD-YYYY)<br>06/21/2006 |      |
| SHEET SIZE<br><b>B</b>   | THIRD ANGLE PROJECTION<br> | CHECKED BY       |                  | MATERIAL                | FINISH<br>SEE TABLE             |      |
| MODEL TYPE<br>ASSEM  | FIRST USE   | MODELED BY<br>TB | DRAWING BY<br>TB | MODEL NUMBER<br>93735   | REVISION<br>I                   |      |
| SCALE<br>0.250   | DESCRIPTION<br>SERVICE PARTS GUIDE,<br>SEVILLE II, 230V-50Hz  |                  |                  | DRAWING NUMBER<br>74739 | REVISION<br>G                   |      |
| SHEET<br>2 OF 2  |   |                  |                  | REL LEVEL<br>Detail     | REL LEVEL<br>Detail             |      |