

SAVOY, 230V SERVICE PARTS		MODEL NUMBER	24523	24522	24526	24524	24520	24521	24525
		FINISH	BRUSHED CHROME	SATIN BRASS	WHITE	BRIGHT BRASS	ANTIQUÉ BRASS	BRUSHED NICKEL	AMBER BRONZE
ITEM NO	LIST DESCRIPTION	QTY	PART NUMBER						
1	ASM, LOWER CANOPY, TRADITIONAL	1	85357-01-134	85357-01-135	85357-01-132	85357-01-116	85357-01-121	85357-01-214	85357-01-373
2	ASM, TRI-LOBE HANG SYSTEM	1	94125-03-134	94125-03-135	94125-24-132	94125-03-116	94125-03-121	94125-03-214	94125-03-373
3	BLADE, SET OF (5)	5	74048-44-000	74438-34-000	74048-46-000	74048-20-000	76238-36-000	76238-37-000	75885-34-000
4	BLADE IRON, SET OF (5)	5	92805-05-134	92805-05-135	92805-05-132	92805-05-116	92805-05-121	92805-05-214	92805-05-373
5	LOWER SWITCH HOUSING ASM	1	93793-03-134	93793-01-135	93793-04-132	93793-01-116	93793-01-121	93793-03-214	93793-05-373
6	UPPER CANOPY, INT.	1	85255-01-134	85255-01-135	85255-01-132	85255-01-116	85255-01-121	85255-01-214	85255-01-373
7	HARDWARE KIT	1	85381-01-000	85381-02-000	85381-03-000	85381-04-000	85381-05-000	85381-01-000	85381-06-000
8	INSTRUCTION MANUAL	1	41470-01-000	41470-01-000	41470-01-000	41470-01-000	41470-01-000	41470-01-000	41470-01-000
9	SWITCH HOUSING WIRE HARNESS ASM	1	76060-04-000	76060-04-000	76060-04-000	76060-04-000	76060-04-000	76060-04-000	76060-04-000
10	CAP AND BUTTON ADAPTER	1	64684-01-232	64684-01-232	64684-01-232	64684-01-232	64684-01-232	64684-01-232	64684-01-232
11	ASM, MOTOR AND HOUSING	1	93733-01-134	93733-02-135	93733-03-132	93733-04-116	93733-05-121	93733-06-214	93733-07-373
12	SWITCH HOUSING CAP	1	73853-01-134	73853-01-135	73853-01-132	73853-01-116	73853-01-121	73853-01-214	73853-01-373
13	PLUG BUTTON	1	73854-01-133	73854-01-135	73854-01-132	73854-01-116	73854-01-121	73854-01-133	73854-01-373

NOT SHOWN

NOT SHOWN

(B)

(B)


(B)

(B)

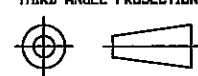
NOTES:
1) ITEMS 9, 10, 12, & 13 ARE INCLUDED WITH ITEM 5

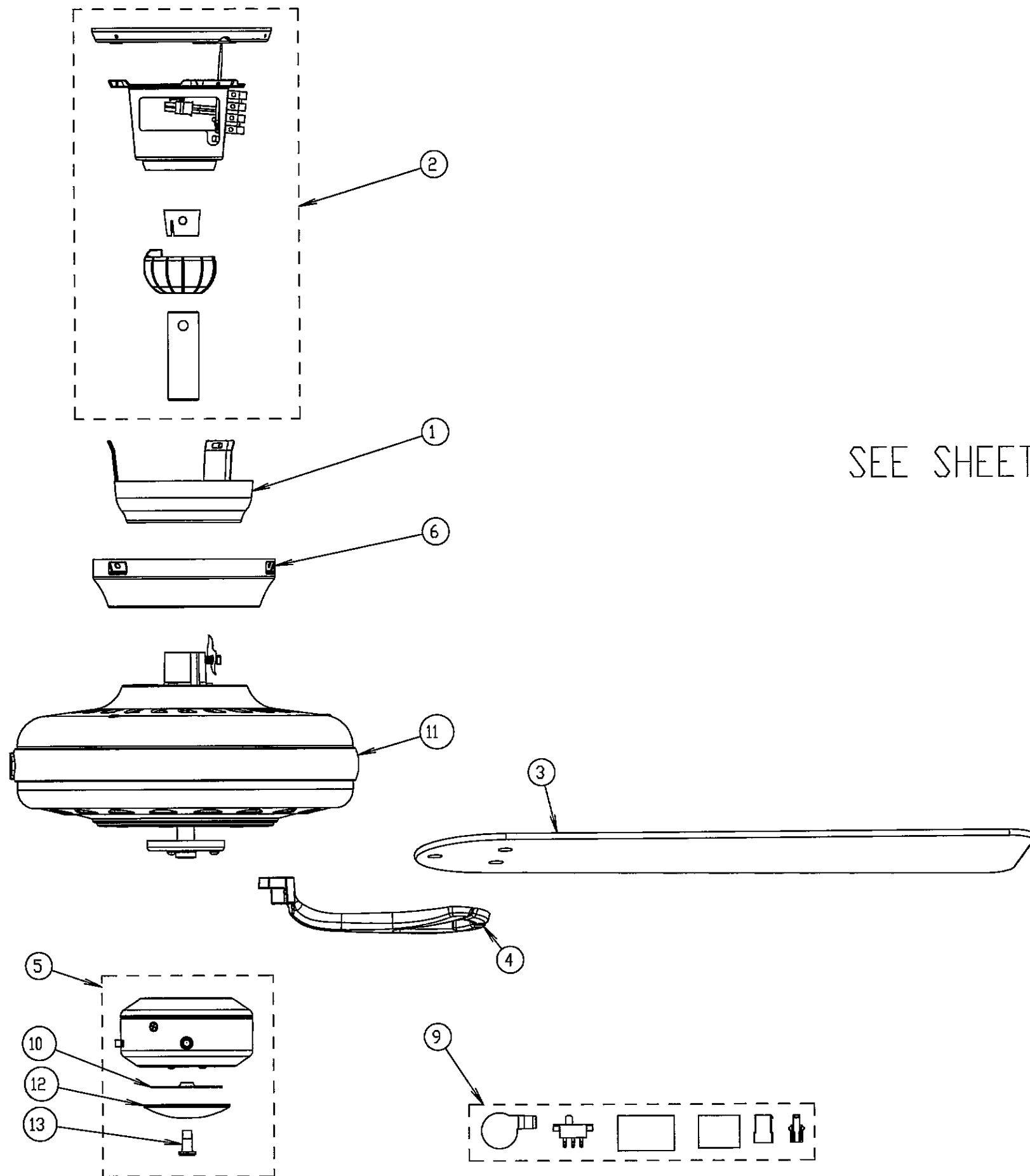
E	ADDED MODELS 24520, 24521, 24525.	KL			8939	9/10/07
D	SKIPPED TO SYNC WITH PDM LINK.					
C	SKIPPED TO SYNC WITH PDM LINK.					
B	76060 WAS 41358; 64684 WAS 07570. ADD ITEMS 12 & 13	TEB			8437	9/20/06
A	MODELS 24522, 24523, 24524; 94125-03 WAS 94125-24. MODEL 24524; FINISH 116 WAS 130.	KL	---	---	7900	11/7/05
REV	DESCRIPTION	BY	CK	APP	ECN#	DATE

SEE SHEET 2 FOR ASSEMBLY DRAWING


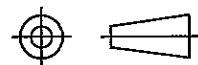


HUNTER FAN COMPANY
2500 FRISCO AVE., MEMPHIS, TENN. 38114

CONFIDENTIAL		DOC NUMBER 6641	STATUS SEE TABLE
THIS DOCUMENT AND THE INFORMATION IT DISCLOSES IS THE EXCLUSIVE PROPERTY OF HUNTER FAN COMPANY. ANY REPRODUCTION OR USE OF THIS DRAWING, IN PART OR IN WHOLE, WITHOUT THE EXPRESS CONSENT OF THE PROPRIETOR IS PROHIBITED.		TYPE CODE 55	DATE (MM-DD-YYYY) 8/13/02
SHEET SIZE B	THIRD ANGLE PROJECTION 	CHECKED BY TB	MATERIAL SEE TABLE
MODEL TYPE ASSEM	FIRST USE	DRAWING BY TB	MODEL NUMBER 93733
SCALE 0.250	DESCRIPTION SERVICE PARTS GUIDE, SAVOY, 230V 50Hz	DRAWING NUMBER 74738	REVISION E
SHEET 1 OF 2		REL LEVEL Detail	REL LEVEL Detail



SEE SHEET 1 FOR PARTS LIST

REV	DESCRIPTION	BY	CK	APP	ECN#	DATE
---	---	---	---	---	---	---
 HUNTER FAN COMPANY SINCE 1886 2500 FRISCO AVE., MEMPHIS, TENN. 38114						
CONFIDENTIAL				DOC NUMBER 6641	STATUS SEE TABLE	
<small>THIS DOCUMENT AND THE INFORMATION IT DISCLOSES IS THE EXCLUSIVE PROPERTY OF HUNTER FAN COMPANY. ANY REPRODUCTION OR USE OF THIS DRAWING, IN PART OR IN WHOLE, WITHOUT THE EXPRESS CONSENT OF THE PROPRIETOR IS PROHIBITED.</small>				TYPE CODE 55	DATE (MM-DD-YYYY) 8/13/02	
SHEET SIZE B	THIRD ANGLE PROJECTION 	CHECKED BY		MATERIAL	FINISH SEE TABLE	
MODEL TYPE ASSEM	FIRST USE	MODELED BY TB		MODEL NUMBER 93733	REVISION J	
SCALE 0.250	DESCRIPTION SERVICE PARTS GUIDE, SAVOY, 230V 50Hz			REL LEVEL Detail	DRAWING NUMBER 74738	
SHEET 2 OF 2				REL LEVEL Detail	REVISION E	