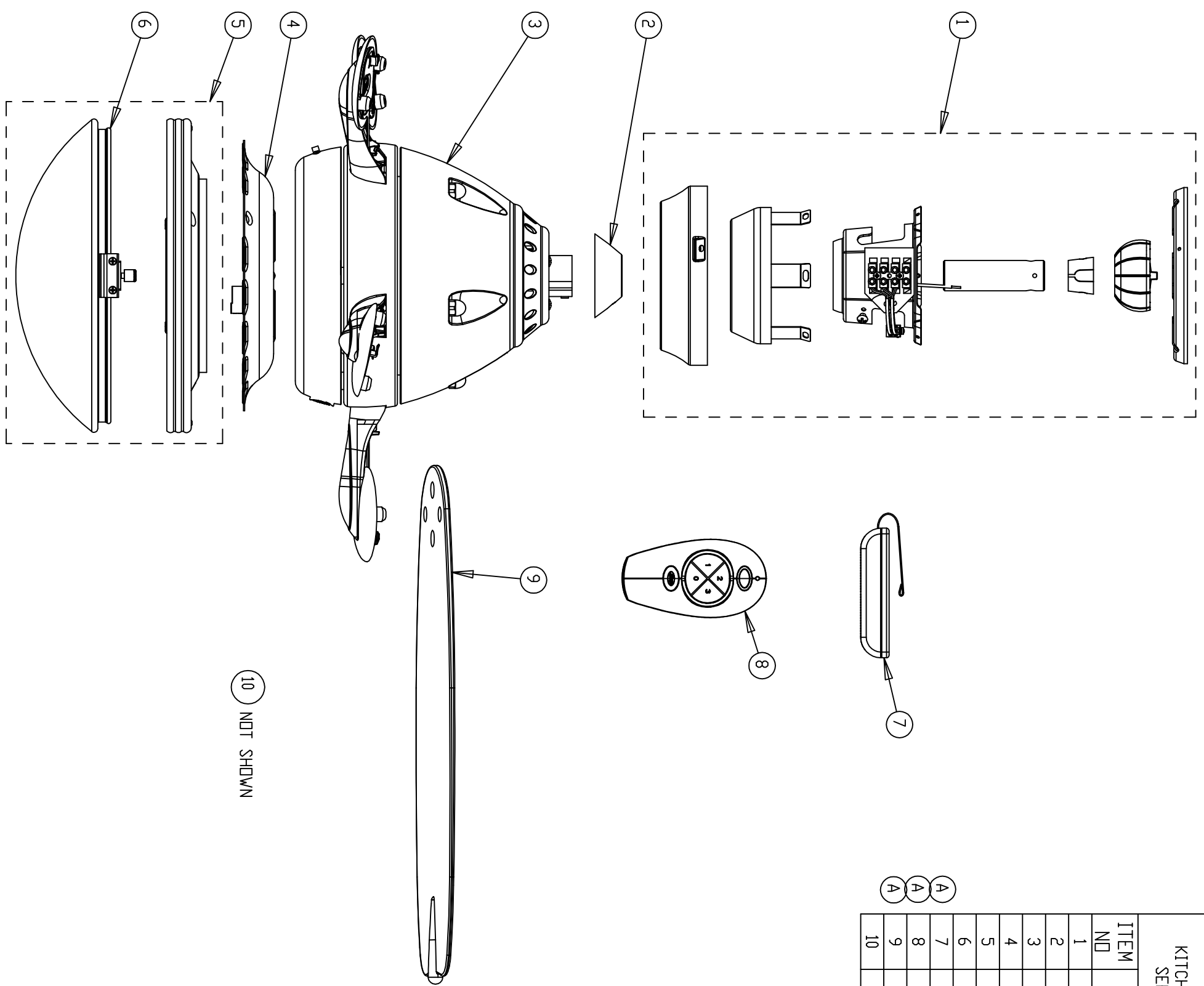


ITEM NO	DESCRIPTION	QTY	MODEL NUMBER			
			24256	24257	24258	FINISH
	KITCHEN FAN, 230V, 50HZ, SERVICE PARTS LIST		WHITE -132	HEAVY BRUSHED NICKEL -448	BLACK -122	
1	KIT, SERVICE, HANGING SYS, CONTEMP	1	94697-02-132	94697-14-448	94697-15-122	
2	ADAPTER COVER	1	75419-01-133	75419-01-133	75419-01-133	
3	MOTOR HOUSING ASSEMBLY	1	96131-01-132	96131-02-448	96131-03-122	
4	MOUNTING PLATE	1	96132-01-132	96132-01-448	96132-01-122	
5	LIGHT KIT ASSEMBLY	1	96224-01-000	96224-01-000	96224-01-000	
6	GLASS BOWL ASSEMBLY	1	86218-01-000	86218-01-000	86218-01-000	
7	RF RECEIVER	1	87262-01-000	87262-01-000	87262-01-000	
8	LCD TRANSMITTER	1	87495-02-000	87495-02-000	87495-02-000	
9	BLADE SET	1	74998-22-000	74998-22-000	74998-22-000	
10	HARDWARE KIT	1	86681-01-132	86681-02-448	86681-03-122	

(A)  
(A)  
(A)



REV.	DESCRIPTION	BY:	CK:	APP:	ECN #	DATE
A	TRANSMITTER 87495 WAS 86656, RECEIVER 87262 WAS 85412, BLADE SET 74998 WAS 86197.	KL			8360	8/10/06
	DESCRIPTION					

CONFIDENTIAL

**Hunter**  
SINCE 1886

HUNTER FAN COMPANY  
2500 FRISCO AVE., MEMPHIS, TENN. 38114

THIS DOCUMENT AND THE INFORMATION IT DISCLOSES IS THE EXCLUSIVE PROPERTY OF HUNTER FAN COMPANY. ANY REPRODUCTION OR USE OF THIS DRAWING, IN PART OR IN WHOLE, WITHOUT THE EXPRESS CONSENT OF THE PROPRIETOR ARE PROHIBITED.

DATE: 7/1/05  
SCALE: 1/4  
FIRST USE:  
REFERENCE: 7676

TOLERANCES: (UNLESS OTHERWISE SPECIFIED)  
DECIMAL: ±.01  
XX = ±.005  
XXX = ±1/64  
FRACTIONAL: ±.5°  
ANGULAR: ±.5°

DATE: 7/1/05	DRAWN BY: KL	DEPARTMENTAL APPROVALS
SCALE: 1/4	CHECKED BY:	R & D
FIRST USE:	ENG:	MFG:
REFERENCE: 7676	MKTG:	ID:
PART NAME SERVICE PARTS GUIDE, KITCHEN FAN, 230V, 50HZ	PART NO. 75661	