


SCALE 0.250

OUTDOOR ELEMENTS		MODEL NUMBER	24132
		FINISH	RAW ALUMINUM -303
ITEM NO	DESCRIPTION	QTY	
1	ADAPTER COVER	1	74369-02-303
2	BLADE IRON SKIRT	1	84987-02-000
3	BLADE SET	1	74853-04-000
4	BLADE IRON SET	1	94910-02-000
5	CANOPY	1	84984-02-303
6	CEILING PLATE ASSEMBLY	1	74601-01-000
7	COVER	1	73853-02-303
8	COVER - OUTDOOR CEILING PLATE	1	74254-01-000
9	HANGER PIPE SLEEVE	1	64422-07-303
10	HARDWARE KIT (NOT SHOWN)	1	85744-01-000
11	HOUSING SERVICE ASSEMBLY	1	75224-01-303
12	LOWER CANOPY	1	84988-02-303
13	LOWER SW. HOUSING ASM, NO LIGHT	1	74483-02-303
14	PIPE NIPPLE, 3/4-10	1	05866-06-000
15	PLUG BUTTON	1	73854-01-303
16	SWITCH HOUSING BRACKET	1	74387-01-000
17	SWITCH HOUSING GASKET	2	74365-01-000
18	UPPER SWITCH HOUSING	1	74366-02-303
19	MOTOR HOUSING ASSEMBLY	1	94908-01-000

CONFIDENTIAL



HUNTER FAN COMPANY
2500 FRISCO AVE., MEMPHIS, TENN. 38114

THIS DOCUMENT AND THE INFORMATION IT DISCLOSES IS THE EXCLUSIVE PROPERTY OF HUNTER FAN COMPANY. ANY REPRODUCTION OR USE OF THIS DRAWING, IN PART OR IN WHOLE, WITHOUT THE EXPRESS CONSENT OF THE PROPRIETOR ARE PROHIBITED.

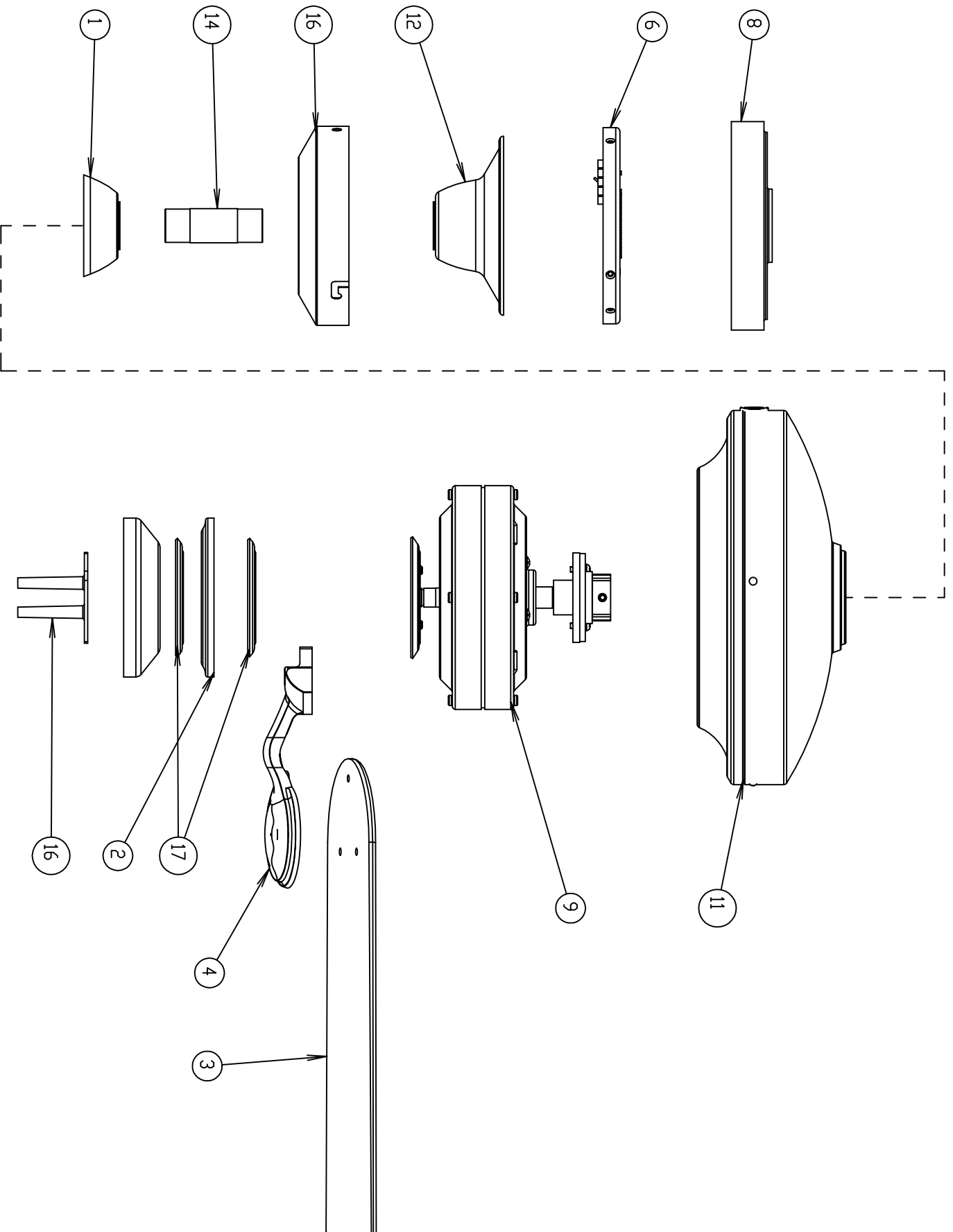
TOLERANCES: (UNLESS OTHERWISE SPECIFIED)	DATE: 10/21/03	DRAWN BY: KL	DEPARTMENTAL APPROVALS	
DECIMAL:	SCALE: 1/4	CHECKED BY:	R & D:	Q.A.:
.xx = ±.01	FIRST USE: OUTDOOR ELEMENTS	ENG.:	MFG.:	
.xxx = ±.005	REFERENCE: PDF 6952	MRKTG.:	I.D.:	
FRACTIONAL: ±1/64	PART NAME: SERVICE PARTS GUIDE	PART NO. 75116		
ANGULAR: ±.5°				

PRO/ENGINEER DRAWING

OUTDOOR
ELEMENTS

MODEL NUMBER
24131
FINISH
SATIN WHITE -262

ITEM NO	DESCRIPTION	QTY	
1	ADAPTER COVER	1	74369-02-262
2	BLADE IRON SKIRT	1	84987-02-262
3	BLADE SET	1	74853-04-000
4	BLADE IRON SET	1	94910-02-262
5	CANOPY	1	84984-02-262
6	CEILING PLATE ASSEMBLY	1	74601-01-232
7	COVER	1	73853-02-262
8	COVER - OUTDOOR CEILING PLATE	1	74254-01-000
9	MOTOR HOUSING ASSEMBLY	1	94908-01-000
10	HARDWARE KIT (NOT SHOWN)	1	74497-01-262
11	HOUSING SERVICE ASSEMBLY	1	75224-01-262
12	LOWER CANOPY	1	84988-02-262
13	LOWER SW. HOUSING ASM, NO LIGHT	1	74483-02-262
14	PIPE NIPPLE, 3/4-10	1	05866-06-262
15	PLUG BUTTON	1	73854-01-262
16	SWITCH HOUSING BRACKET	1	74387-01-000
17	SWITCH HOUSING GASKET	2	74365-01-000
18	UPPER SWITCH HOUSING	1	74366-02-262



INCLUDES CAPACITORS
AND SWITCHES.

CONFIDENTIAL



HUNTER FAN COMPANY
2500 FRISCO AVE., MEMPHIS, TENN. 38 114

THIS DOCUMENT AND THE INFORMATION IT DISCLOSES IS THE EXCLUSIVE PROPERTY OF HUNTER FAN COMPANY. ANY REPRODUCTION OR USE OF THIS DRAWING, IN PART OR IN WHOLE, WITHOUT THE EXPRESS CONSENT OF THE PROPRIETOR ARE PROHIBITED.

TOLERANCES: (UNLESS OTHERWISE SPECIFIED)
DECIMAL: ±.01
xx = ±.005
xxx = ±.005
FRACTIONAL: ±1/64
ANGULAR: ±.5°

DATE: 11/8/04	DRAWN BY: KL	DEPARTMENTAL APPROVALS
SCALE: 1/4	CHECKED BY:	R & D
FIRST USE: OUTDOOR ELEMENTS	ENG:	MG:
REFERENCE:	MKTG:	ID:
PART NAME: SERVICE PARTS GUIDE	PART NO:	75519