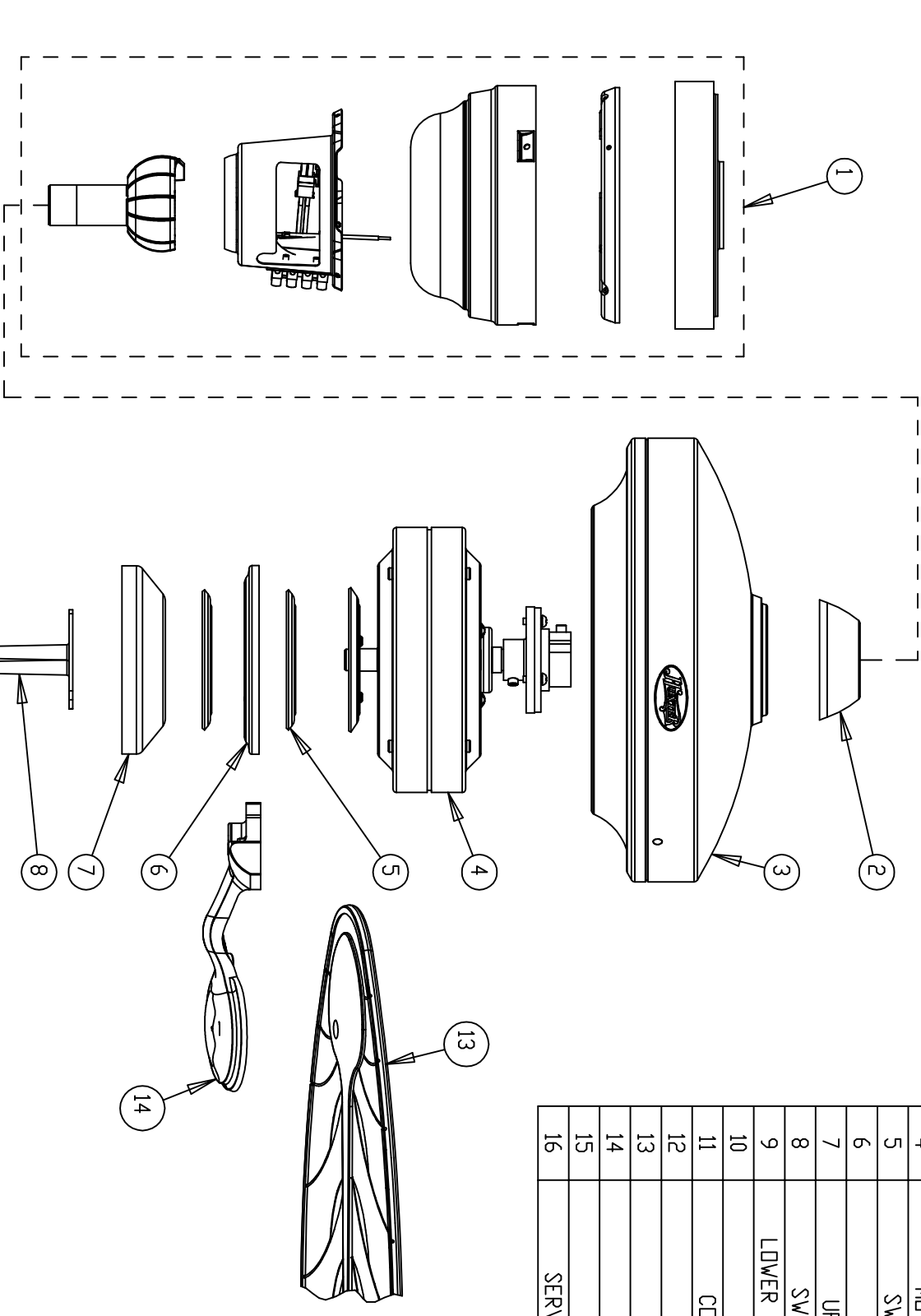


ITEM NO	DESCRIPTION	QTY	MODEL NUMBER		FINISH
			24323	24324	
	OUTDOOR ELEMENTS II, 240V, 50HZ, SERVICE PARTS LIST				
1	TRI LOBE HANGING SYSTEM, OUTDOOR	1	96896-03-000	96896-04-000	96896-01-000
2	ADAPTER COVER	1	74369-03-299	74369-03-213	74369-02-303
3	HOUSING SERVICE ASSEMBLY	1	75224-02-000	75224-03-000	75224-01-000
4	MOTOR HOUSING ASSEMBLY	1	98411-01-299	98411-02-213	98411-03-303
5	SWITCH HOUSING GASKET	2	74365-01-000	74365-01-000	74365-01-000
6	BLADE IRON SKIRT	1	84987-03-299	84987-03-213	84987-02-303
7	UPPER SWITCH HOUSING	1	74366-03-299	74366-03-213	74366-02-303
8	SWITCH HOUSING BRACKET	1	74387-01-000	74387-01-000	74387-01-000
9	LOWER SWITCH HOUSING ASM, 240V	1	88295-03-000	88295-02-000	88295-04-000
10	ADAPTER PLATE	1	64684-02-000	64684-02-000	64684-02-000
11	COVER, SWITCH HOUSING	1	73853-02-299	73853-02-213	73853-02-303
12	PLUG BUTTON	1	73854-01-119	73854-01-119	73854-01-133
13	BLADE SET	1	74853-05-000	75006-18-000	74853-04-000
14	BLADE IRON SET	1	93395-06-299	93395-06-213	93395-06-303
15	HARDWARE KIT	1	88387-01-000	88387-02-000	88387-03-000
16	SERVICE KIT, WIRE HARNESS	1	76655-02-000	76655-02-000	76655-01-000



15 NOT SHOWN

A	INITIAL DRAWING RELEASE	KL	---	---	9218	2/15/08
REV	DESCRIPTION	BY	CK	APP	ECN#	DATE

**Hunter**  
HUNTER FAN COMPANY  
2500 FRISCD AVE., MEMPHIS, TENN. 38114  
SINCE 1896

*CONFIDENTIAL*

THIS DOCUMENT AND THE INFORMATION IT DISCLOSES IS THE EXCLUSIVE PROPERTY OF HUNTER FAN COMPANY. ANY REPRODUCTION OR USE OF THIS DRAWING, IN PART OR IN WHOLE, WITHOUT THE EXPRESS CONSENT OF THE PROPRIETOR IS PROHIBITED.

MODEL TYPE ASSEM	FIRST USE	DRAWING BY KL	REL LEVEL Design	STATUS ACTIVE
B	THIRD ANGLE PROJECTION	MODEL NUMBER 98411	DATE 2/13/08	FINISH SEE CHART
SCALE 0.250	DESCRIPTION SERVICE PARTS LIST, OUTDOOR ELEMENTS II	REL LEVEL Design	DRAWING NUMBER 76648	REVISION A
SHEET 1 OF 1				