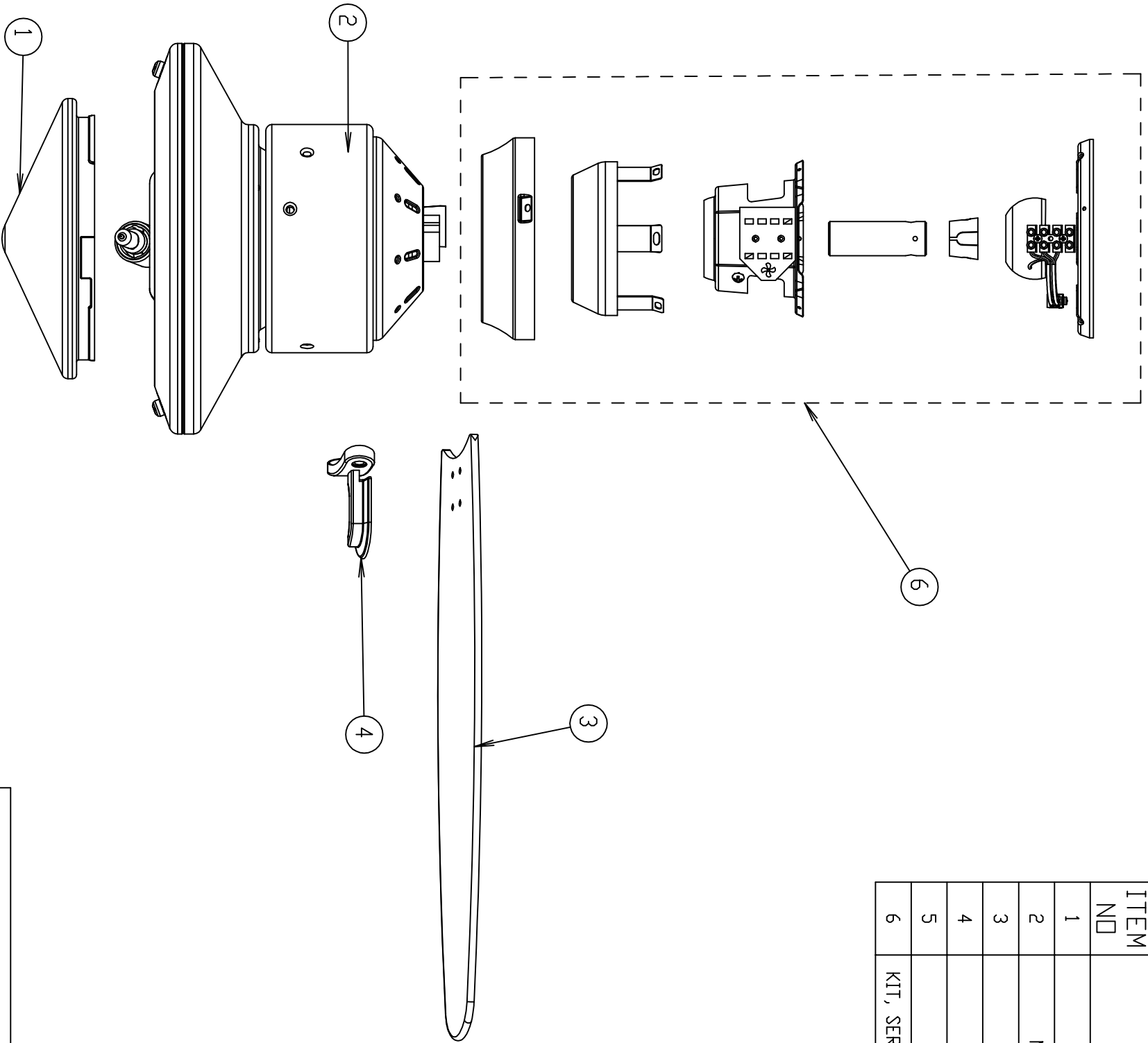


MERCED		MODEL NUMBER	24086	24087	24085
		FINISH	WHITE	BLACK SATIN	BRUSHED NICKEL
ITEM NO	DESCRIPTION	QTY			
1	GLASS, GLOBE	1	93089-01-000	93089-01-000	93089-01-000
2	MOTOR HOUSING ASSEMBLY	1	93083-01-132	93083-01-276	93083-01-214
3	BLADE SET	1	74048-75-000	74048-76-000	75006-61-000 D
4	BLADE IRON SET	1	74143-18-276	74143-18-276	74143-18-214
5	SERVICE HARDWARE KIT	1	85351-01-132	85351-02-276	85351-03-214
6	KIT, SERVICE, HANGING SYSTEM, CONTEMP	1	94697-02-132	94697-05-276	94697-06-214



REV.	DESCRIPTION	BY:	CHK:	APP:	ECN NO.	DATE
D	FDR # 24805 75006-61-000 WAS 74506-60-000	TEB			7971	1/5/06
C	FINISH FOR MODEL 24087 WAS 275.	KL			6977	11/5/03
B	ADDED MODEL 24085 AND PART 94697. DELETED PARTS 85355, 94125, 85255.	KL			6921	9/2/03
A	24086 FINISH WAS CHALK WHITE	TEB			6648	8/22/02

CONFIDENTIAL



HUNTER FAN COMPANY
2500 FRISCO AVE., MEMPHIS, TENN. 38114

SINCE 1886

THIS DOCUMENT AND THE INFORMATION IT DISCLOSES IS THE EXCLUSIVE PROPERTY OF HUNTER FAN COMPANY. ANY REPRODUCTION OR USE OF THIS DRAWING, IN PART OR IN WHOLE, WITHOUT THE EXPRESS CONSENT OF THE PROPRIETOR ARE PROHIBITED.

TOLERANCES: (UNLESS OTHERWISE SPECIFIED)
DECIMAL: ±.01
XX = ±.005
XXX = ±.005
FRACTIONAL: ±1/64
ANGULAR: ±5°

DATE: 8/8/02 DRAWN BY: TEB DEPARTMENTAL APPROVALS
SCALE: 1/4 CHECKED BY: R & D
FIRST USE: MERCED ENG: MFG:
REFERENCE: PDF-6634 MKTG: I.D.

PART NAME: SERVICE PARTS GUIDE PART NO. 74725

FOR SERVICE PARTS
USE ONLY!