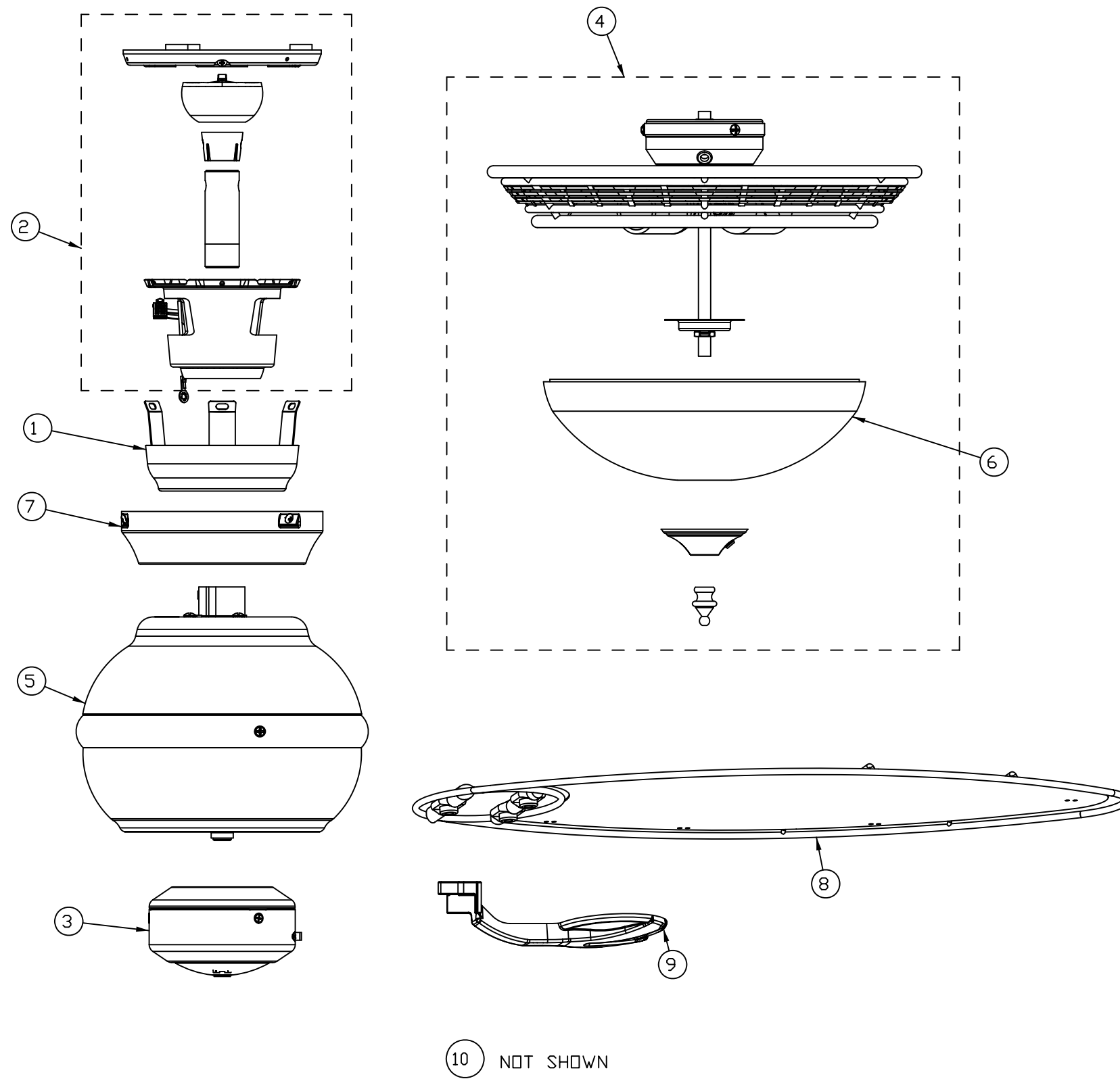

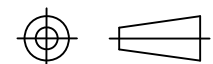


240V-60Hz CARIBBEAN BREEZE		MODEL NUMBER	24457
		FINISH	WEATHERED BRONZE
ITEM NO	DESCRIPTION	QTY	
1	ASM, LOWER CANOPY, TRADITIONAL	1	85357-01-300
2	ASM, TRI-LOBE HANGING SYSTEM	1	94125-03-300
3	SWITCH HOUSING ASSEMBLY	1	85405-07-300
4	LIGHT KIT ACCESSORY	1	95979-01-300
5	MOTOR HOUSING, LOWER	1	96913-01-300
6	GLASS GLOBE	1	84650-01-000
7	UPPER CANOPY, INT	1	85255-01-300
8	BLADE SET	1	94354-02-000
9	BLADE IRON SET	1	92792-01-300
10	SERVICE HARDWARE KIT	1	86411-01-300



---	---	---	---	---	---	---
REV	DESCRIPTION	BY	CK	APP	ECN#	DATE
 HUNTER FAN COMPANY SINCE 1886 2500 FRISCO AVE., MEMPHIS, TENN. 38114						
CONFIDENTIAL				DOC NUMBER 8157	STATUS	
THIS DOCUMENT AND THE INFORMATION IT DISCLOSES IS THE EXCLUSIVE PROPERTY OF HUNTER FAN COMPANY. ANY REPRODUCTION OR USE OF THIS DRAWING, IN PART OR IN WHOLE, WITHOUT THE EXPRESS CONSENT OF THE PROPRIETOR IS PROHIBITED.				TYPE CODE	DATE (MM-DD-YYYY) 4/7/06	
SHEET SIZE B	THIRD ANGLE PROJECTION 	CHECKED BY	MODELED BY	MATERIAL	FINISH	
MODEL TYPE ASSEM	FIRST USE	DRAWING BY KL	MODEL NUMBER 96913	REVISION 1		
SCALE 1:4	DESCRIPTION SERVICE PARTS GUIDE			REL LEVEL Design	REVISION	
SHEET 1 OF 1				DRAWING NUMBER 75950	REL LEVEL PDMRL	