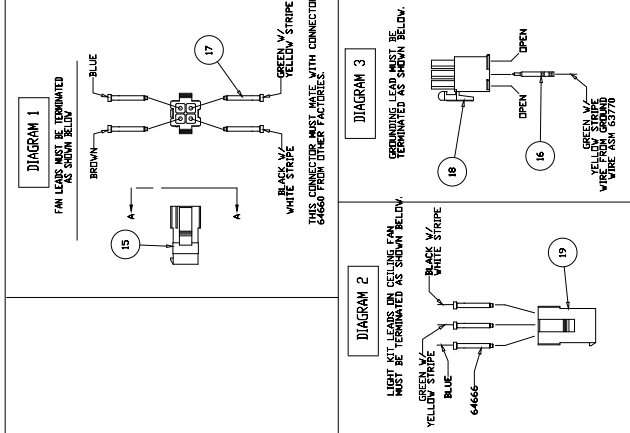
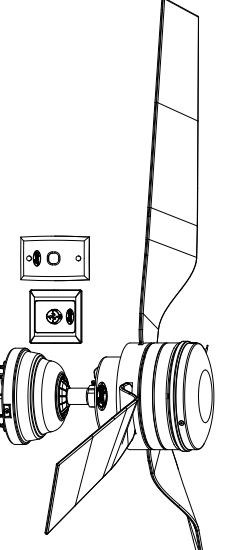
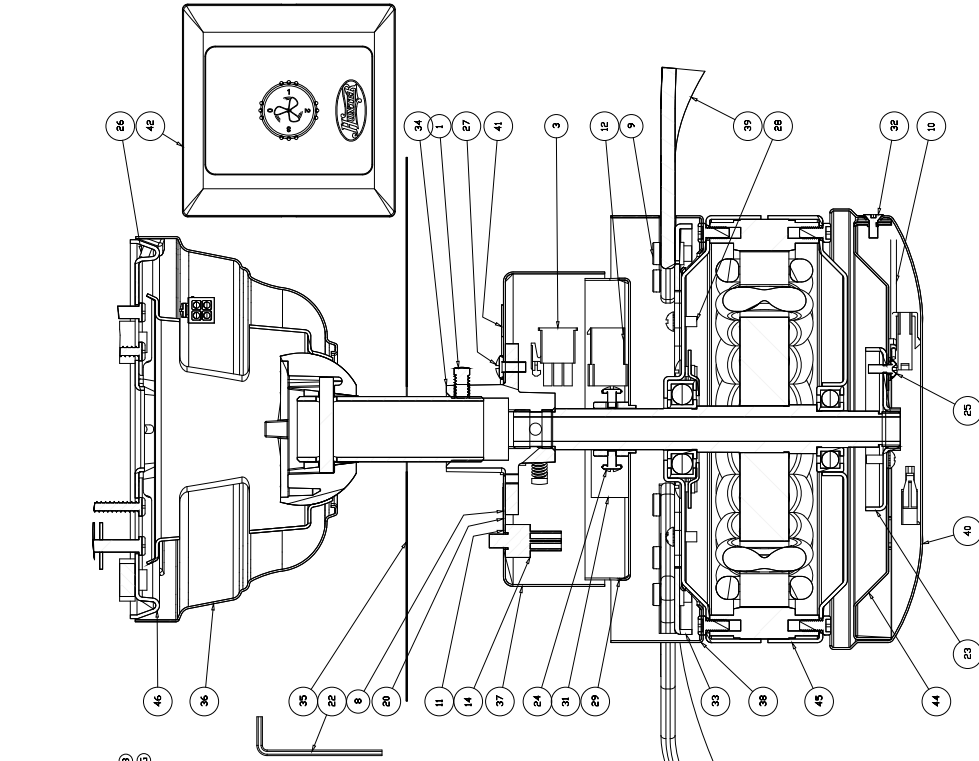


# MASTER PARTS LIST

ITEM	PART NUMBER	QTY	DESCRIPTION	ASSEMBLY DWG. NO.	ACTIVE	RESORT WHITE -331	NEW BRONZE -899	ACTIVE	ACTIVE	99435-03
				PROJ. NO	24234	24235				24238
				FINISH	RESORT WHITE -331	NEW BRONZE -899				
				STATUS	ACTIVE	ACTIVE	ACTIVE	ACTIVE	ACTIVE	ACTIVE
1	03009-06	2	SCREW - SET 1/4-20 X 3/16 SS	99435-01	99435-01	99435-02	99435-02	99435-02	99435-03	
2	03492-12	2	SCREW, #3 X .15-.45 - STAINLESS	03009-06	03009-06-247	03009-06-247	03009-06-247	03009-06-247	03009-06-247	
3	07637-01	1	HEX BUSHING, MALE PLUG	03492-12	03492-12-247	03492-12-247	03492-12-247	03492-12-247	03492-12-247	
4	41329	1	SITE PREP GUIDE, 9 LANGUAGES	07637-01	07637-01-000	07637-01-000	07637-01-000	07637-01-000	07637-01-000	
5	41624	1	WARRANTY CARD, INTERNATIONAL	41329	41329-01-000	41329-01-000	41329-01-000	41329-01-000	41329-01-000	
6	44269	1	DIVERS MANUAL	41624	41624-01-000	41624-01-000	41624-01-000	41624-01-000	41624-01-000	
7	44856	1	DMP LOCATION SUPPLEMENT SHEET	44269	44269-01-000	44269-01-000	44269-01-000	44269-01-000	44269-01-000	
8	63713	1	SERIAL LABEL, ORN/VP	44856	44856-01-000	44856-01-000	44856-01-000	44856-01-000	44856-01-000	
9	63755-06	10	SCREW - 1/4-20, SS	63713-01-000	63713-01-000	63713-01-000	63713-01-000	63713-01-000	63713-01-000	
10	63770-03	1	GROUND WIRE ASSY	63755-06	63755-06-247	63755-06-247	63755-06-247	63755-06-247	63755-06-247	
11	63984	1	LABEL - REV. REVERSING	63770-03	63770-03-000	63770-03-000	63770-03-000	63770-03-000	63770-03-000	
12	64262	1	9-PIN FEMALE CONNECTOR WITH LABEL	63984	63984-01-000	63984-01-000	63984-01-000	63984-01-000	63984-01-000	
13	64318	2	RIVET - #8X 1/8 LG. ALUM. *	64262	64262-01-000	64262-01-000	64262-01-000	64262-01-000	64262-01-000	
14	64329	1	SWITCH ASM - REVERSING	64318-01-000	64318-01-000	64318-01-000	64318-01-000	64318-01-000	64318-01-000	
15	64461	1	FEMALE PLUG CONNECTOR (4-PIN)	64329	64329-01-000	64329-01-000	64329-01-000	64329-01-000	64329-01-000	
16	64665	9	PIN, TERMINAL	64461	64461-01-000	64461-01-000	64461-01-000	64461-01-000	64461-01-000	
17	64666	15	SOCKET, TERMINAL	64665	64665-01-000	64665-01-000	64665-01-000	64665-01-000	64665-01-000	
18	64680	1	MALE PLUG CONNECTOR (3-PIN)	64666	64666-01-000	64666-01-000	64666-01-000	64666-01-000	64666-01-000	
19	64681	1	FEMALE SOCKET CONNECTOR (3-PIN)	64680	64680-01-000	64680-01-000	64680-01-000	64680-01-000	64680-01-000	
20	65565	1	WARNING LABEL, BLADE HEIGHT ICON	64681	64681-01-000	64681-01-000	64681-01-000	64681-01-000	64681-01-000	
21	65866	1	BALANCING KIT.	65565	65565-01-000	65565-01-000	65565-01-000	65565-01-000	65565-01-000	
22	65914	1	ALLEN WRENCH, 5/64"	65866	65866-01-000	65866-01-000	65866-01-000	65866-01-000	65866-01-000	
23	72965-01	1	MOUNTING PLATE, SWITCH HOUSING	65914	65914-01-000	65914-01-000	65914-01-000	65914-01-000	65914-01-000	
24	74506-21	2	SCREW, #6-32	72965-01	72965-01-119	72965-01-119	72965-01-119	72965-01-119	72965-01-119	
25	74506-34	3	SCREW, #6-32	74506-21	74506-21-000	74506-21-000	74506-21-000	74506-21-000	74506-21-000	
26	74506-61	3	SCREW, #6-32	74506-34	74506-34-000	74506-34-000	74506-34-000	74506-34-000	74506-34-000	
27	74506-23	3	#8-32 MACHINE SCREW, SS #8-32	74506-61	74506-61-247	74506-61-247	74506-61-247	74506-61-247	74506-61-247	
28	74506-55	3	#8-32 MACHINE SCREW, SS #8-32	74506-23	74506-23-247	74506-23-247	74506-23-247	74506-23-247	74506-23-247	
29	75409	1	ASH, CAPACITOR PLATE, RF Remote Mount's Plus 4	74506-55	74506-55-000	74506-55-000	74506-55-000	74506-55-000	74506-55-000	
30	75476	1	HUNTER LOGO SHEET METAL	75409	75409-01-331	75409-01-331	75409-01-331	75409-01-331	75409-01-331	
31	75886-10	2	CAPACITOR, START	75476	75476-05-000	75476-05-000	75476-05-000	75476-05-000	75476-05-000	
32	76882	3	SCREW, #6-32, HEX DRIVE	75886-10	75886-10-000	75886-10-000	75886-10-000	75886-10-000	75886-10-000	
33	77816-02	1	BLADE SUPPORT PLATE ZIE	76882	76882-02-247	76882-02-247	76882-02-247	76882-02-247	76882-02-247	
34	84002-02	1	ADAPTER - 5/16-18 SHFT	77816-02	77816-02-331	77816-02-331	77816-02-331	77816-02-331	77816-02-331	
35	85102	1	CAUTION TAG	84002-02	84002-02-132	84002-02-132	84002-02-132	84002-02-132	84002-02-132	
36	85269	1	CANOPY, ORIGINAL, INT.	85102	85102-01-000	85102-01-000	85102-01-000	85102-01-000	85102-01-000	
37	86187	1	TOP COVER	85269	85269-01-299	85269-01-299	85269-01-299	85269-01-299	85269-01-299	
38	86728-02	1	MOTOR COVER, SHEET METAL	86187	86187-01-299	86187-01-299	86187-01-299	86187-01-299	86187-01-299	
39	87992	3	BLADE ASSEMBLY	86728-02	86728-02-299	86728-02-299	86728-02-299	86728-02-299	86728-02-299	
40	87905	1	SWITCH HOUSING, LOWER	87992	87992-07-000	87992-07-000	87992-07-000	87992-07-000	87992-07-000	
41	88169	1	NAMER/PLATE LABEL, 240V/300V FANS	87905	87905-01-331	87905-01-299	87905-01-299	87905-01-299	87905-01-299	
42	89117	1	WALL CONTROL, 230V, NO LIGHT WITH CAPACITOR	88169	88169-04-000	88169-05-000	88169-05-000	88169-05-000	88169-05-000	
43	89562	1	SERVICE PARTS HARDWARE LIST CABO FRID	89117	89117-02-000	89117-02-000	89117-02-000	89117-02-000	89117-02-000	
44	97739	1	SWITCH HOUSING, UPPER	89562	89562-01-000	89562-01-000	89562-01-000	89562-01-000	89562-01-000	
45	98247-13	1	STANDARD MOTOR 172x200mm (240V-50Hz)	97739	97739-01-331	97739-01-299	97739-01-299	97739-01-299	97739-01-299	
46	99153	1	TRI-LINE WINDING SYSTEM 230V, DMP	98247-13	98247-13-000	98247-13-000	98247-13-000	98247-13-000	98247-13-000	
47	00001	1	SERVICE PARTS HARDWARE LIST CABO FRID	99153	99153-03-299	99153-03-299	99153-03-299	99153-03-299	99153-03-299	



**NOTES, WIRING:**

- SEE DRAWING 75502 FOR WIRING DIAGRAM.
- LINE CONNECTION LEADS RATED USING GREEN, BLUE (V), BROWN, STRIPE, EXTEND 1/2" INSIDE AND OUTSIDE MOTOR HOUSING END.
- FIBERGLASS TUBING TO COVER WIRE LEADS AND EXTEND 1/2" INSIDE AND OUTSIDE MOTOR HOUSING.
- 1/2" OUTSIDE OF MOTOR ADAPTER.
- WIRE LEADS TO EXTEND 24" OUTSIDE OF MOTOR ADAPTER.

**NOTES, GENERAL:**

- MUST MEET GENERAL CEILING FAN SPECIFICATION F4024 FOR ALL PARTS.
- CONNECTING PLUG WIRING HARNESS LEAD WIRES TO BE LONG ENOUGH TO ALLOW THE LOWER SWITCH HOUSING TO EXTEND AT LEAST 1/2" ABOVE THE LOWER SWITCH HOUSING TO PERMIT SWITCH TO BE SECURED.
- SWITCH WIRING MUST BE LONG ENOUGH TO PERMIT SWITCH TO EXTEND 3/16" BELOW SWITCH HOUSING.
- ON THE SWITCH HOUSING USING GROUNDING LUG. SCREW HEAD MUST BE GREEN.
- THE STRIP CONDUCTOR MUST NOT IN LEAD WIRES BEFORE INSERTING LEADS INTO THE SWITCH HOUSING.
- PARTS MUST PASS HUNTER QA-ARE STANDARD.
- VISIBLE SHIPPING LABEL UNDER SHIPPING BLOCK. TEXT MUST BE VISIBLE.
- THIS FAN IS DAMP RATED. ALL CBS PARTS MUST BE PAINTED TO PROTECT FROM CORROSION. ALL PARTS MUST BE PAINTED TO PROTECT FROM CORROSION. ALL PARTS MUST BE PAINTED TO PROTECT FROM CORROSION. ALL PARTS MUST BE PAINTED TO PROTECT FROM CORROSION.
- ALL FASTENERS MUST BE 304 STAINLESS STEEL OR EQUIVALENT. ALL FASTENERS MUST BE 304 STAINLESS STEEL OR EQUIVALENT. ALL FASTENERS MUST BE 304 STAINLESS STEEL OR EQUIVALENT. ALL FASTENERS MUST BE 304 STAINLESS STEEL OR EQUIVALENT.
- WALL CONTROL, 230V, NO LIGHT WITH CAPACITOR PLATED TO MATCH FAN COMPONENT FINISHES AS INDICATED.

REV	DESCRIPTION	BY	CK	APP	ECON	DATE
H	03009-06 VAS -34					1/14/2011
G	ADDED PART DESCRIPTION					5/14/2011
REV	DESCRIPTION	BY	CK	APP	ECON	DATE

REV	DESCRIPTION	BY	CK	APP	ECON	DATE
F	FAN PARTS VAS 300V-132					4/7/10
E	REMOVED VAS 300V-132					12/8/09
D	FAN PARTS VAS 240V-132					10/20/09
C	NEW PARTS VAS 240V-132					9/27/09
B	NEW PARTS VAS 240V-132					8/19/09
A	NEW DRAWING RELEASE					5/26/09

REV	DESCRIPTION	BY	CK	APP	ECON	DATE
H	03009-06 VAS -34					1/14/2011
G	ADDED PART DESCRIPTION					5/14/2011
REV	DESCRIPTION	BY	CK	APP	ECON	DATE

REV	DESCRIPTION	BY	CK	APP	ECON	DATE
H	03009-06 VAS -34					1/14/2011
G	ADDED PART DESCRIPTION					5/14/2011
REV	DESCRIPTION	BY	CK	APP	ECON	DATE

REV	DESCRIPTION	BY	CK	APP	ECON	DATE
H	03009-06 VAS -34					1/14/2011
G	ADDED PART DESCRIPTION					5/14/2011
REV	DESCRIPTION	BY	CK	APP	ECON	DATE

REV	DESCRIPTION	BY	CK	APP	ECON	DATE
H	03009-06 VAS -34					1/14/2011
G	ADDED PART DESCRIPTION					5/14/2011
REV	DESCRIPTION	BY	CK	APP	ECON	DATE

REV	DESCRIPTION	BY	CK	APP	ECON	DATE
H	03009-06 VAS -34					1/14/2011
G	ADDED PART DESCRIPTION					5/14/2011
REV	DESCRIPTION	BY	CK	APP	ECON	DATE

REV	DESCRIPTION	BY	CK	APP	ECON	DATE
H	03009-06 VAS -34					1/14/2011
G	ADDED PART DESCRIPTION					5/14/2011
REV	DESCRIPTION	BY	CK	APP	ECON	DATE

**HUNTER FAN COMPANY**  
 2500 FRENCH AVE., MEMPHIS, TENN. 38114

**CONFIDENTIAL**

DATE OF THIS DRAWING: 1/14/2011  
 DRAWN BY: [ ]  
 CHECKED BY: [ ]  
 APPROVED BY: [ ]

REV: [ ] DATE: [ ]

99435

CABO FRID, 230V-50Hz