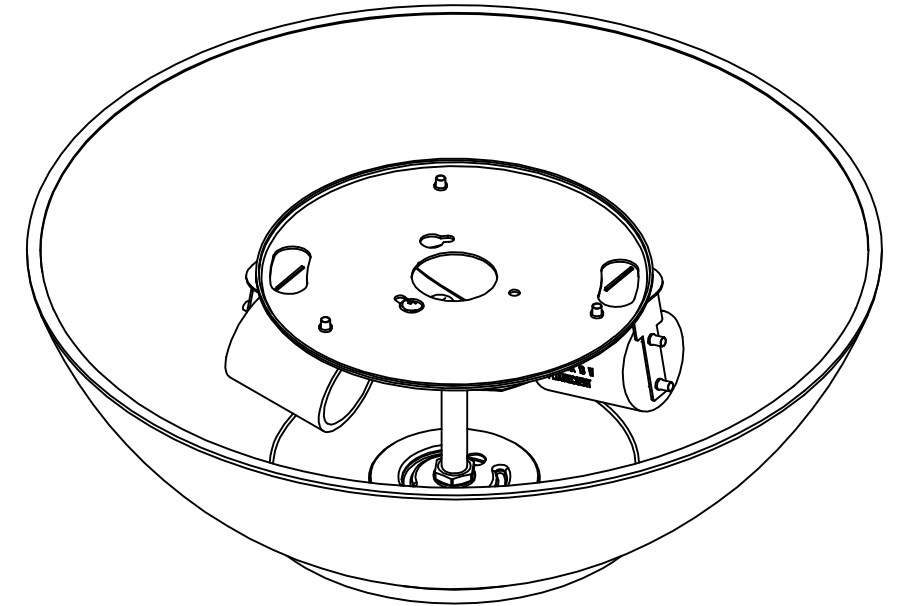
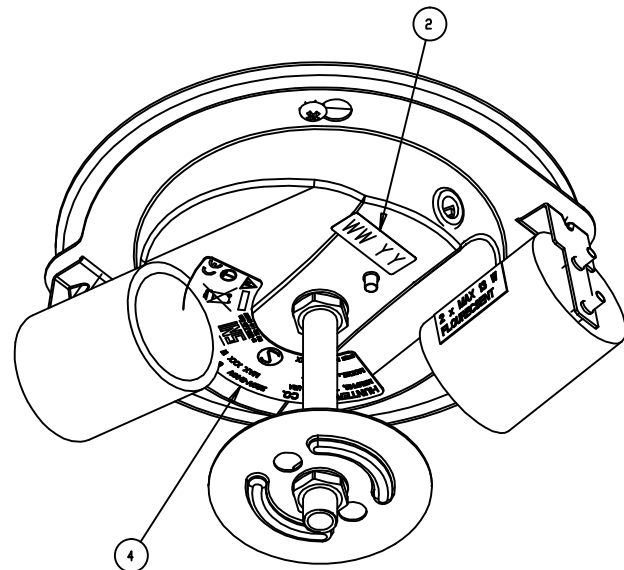
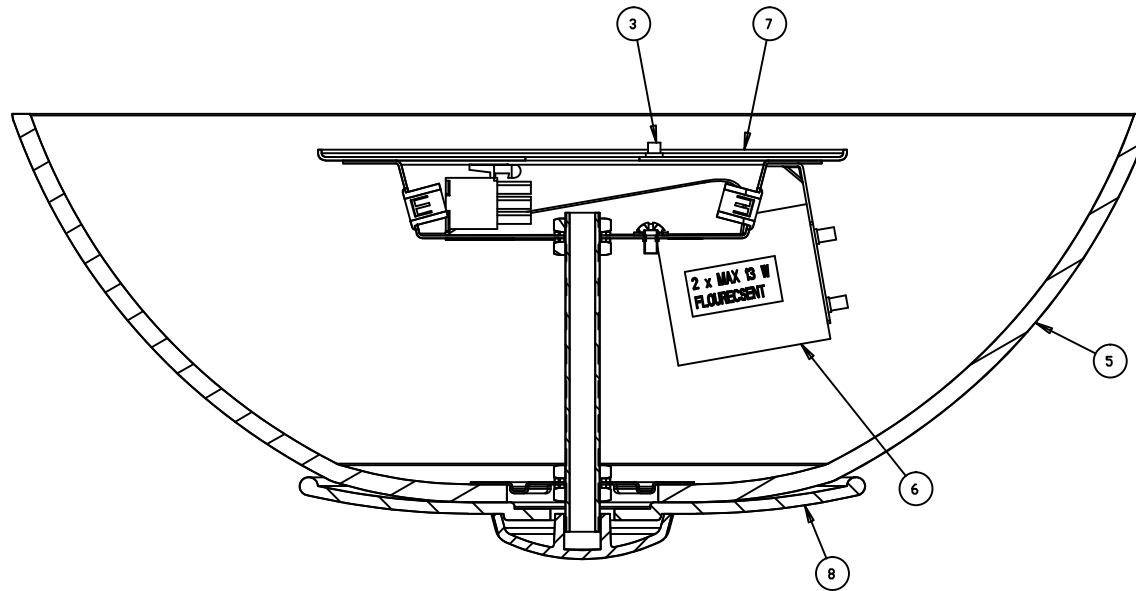


MASTER PARTS LIST

ASSEMBLY DWG. NO.							
GROUP NO	99505-01	99505-02					
FINISH	WHITE -132	BRUSHED NICKEL -214					
PRDD_NO	24145	24146					
ITEM	PART NUMBER	QTY	DESCRIPTION	GROUP NO	99505-01	99505-02	
1	44246-01-000	1	OWNERS MANUAL, 9 LANGUAGE,	44246-01-000	44246-01-000	44246-01-000	NOT SHOWN
2	63713	1	SERIAL LABEL, (MTH/YR)	63713	63713-01-000	63713-01-000	
3	74506-35	3	SCREW, #6-32	74506-35	74506-35-133	74506-35-133	(B)
4	84129	1	NAMEPLATE, 240V ACCESSORY,	84129	84129-77-000	84129-78-000	
5	89212	1	GLASS BOWL,	89212	89212-01-000	89212-01-000	
6	89293	1	MOUNTING PLATE ASM, 230V	89293	89293-01-000	89293-02-000	
7	89294	1	FITTER,	89294	89294-01-132	89294-01-214	(B)
8	89311	1	GLASS BOWL ASSEMBLY,	89311	89311-01-000	89311-02-000	




SCALE 0.750



GLASS BOWL NOT SHOWN

NOTES:

- MUST MEET GENERAL CEILING FAN SPECIFICATION F4024.
- MUST MEET GENERAL PACKAGING SPECIFICATION F4045.
- PARTS MUST PASS HUNTER QA-AR STANDARD.
- SEE MOUNTING PLATE ASM DRAWING FOR WIRING NOTES AND WIRING DIAGRAM.

B	MOVED COMPONENTS 03397, 03398, 06305, 63944, 63956, 64665, 64680, 64739, 67109, 67174, 74505 FROM THIS DWG TO MOUNTING PLATE ASM 89293. MOVED FINIAL 67110 FROM THIS DWG TO BOWL ASM 89311. ADDED FITTER 89294. SCREW 74506-35 WAS 74506-36.	KL		9864A	6/19/09
A	INITIAL DRAWING RELEASE.	KL	---	9864	6/2/09
REV	DESCRIPTION	BY	CK	APP ECN#	DATE
 HUNTER FAN COMPANY 2500 FRISCO AVE., MEMPHIS, TENN. 38114					
THIS DOCUMENT AND THE INFORMATION IT INCLUDES IS THE EXCLUSIVE PROPERTY OF HUNTER FAN COMPANY. ANY REPRODUCTION OR USE OF THIS DRAWING, IN PART OR IN WHOLE, WITHOUT THE EXPRESS CONSENT OF THE PROPRIETOR IS PROHIBITED.		9864	ACTIVE	DATE 06/19/09	
SHEET SIZE	THIRD ANGLE PROJECTION	DESIGNED BY	DRAWN BY	DATE	REVISED
D		KL		99505	B
SCALE	ASSEMBLY	FLIGHT	REVISED	99505	B
1.000				99505	B
1 OF 1	LIGHT KIT ACCESSORY, 230V,				